

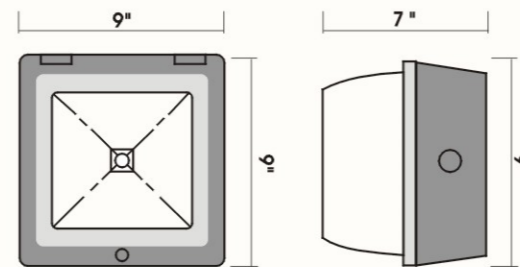
BV8 Series

Features

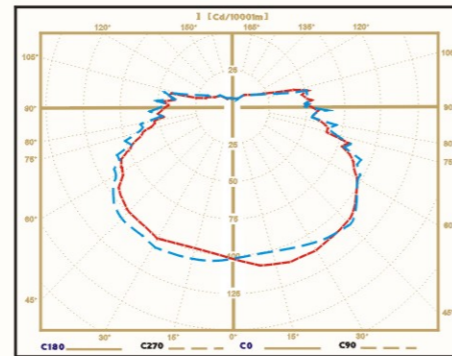
- **Housing**--One-piece die cast aluminum housing, standard finish, bronze, fade - resistant powder coat paint. Housing has silicone rubber gasket.
- **Optics**-- One-piece clear prismatic polycarbonate UV stabilized diffuser.
- **Ballast**--70 watt High Pressure Sodium, reactor high power factor, minimum starting temperature -40°F. 70 watt Metal Halide high power factor, multi-tap 120/208/240/277 volt, minimum starting temperature -20°F. 18 watt (2x9) compact fluorescent, 120 volt, reactor normal power factor, minimum starting temperature 0°F.
- **Lamp**-- 70-watt Metal Halide clear medium base ED-17; 70 watt High Pressure Sodium clear medium base ED-17; 9-watt compact fluorescent, G23 base.
- **Socket**--Glazed porcelain, 4KV pulse rated UL listed.
- **Mounting**--Three(3) removable threaded knockouts 1/2 inch NPS, on each side and one located on the back; providing access for conduit fittings or photo control. Can be wall-mounted or ceiling mounted.
- **Listings**--UL 1598 listed suitable for damp location. CUL certified for use in Canada.



Dimensions



Photometrics



Catalogue Number	Voltage	Watts Lamp Type	Ballast	Shipping Weight
BV8-70MQ	120/208/240/227	70 watt Metal Halide Medium ED-17	HX-HPF	7 Lbs
BV8-70S	120	70 watt High Pressure Sodium Medium ED-17	HX-HPF	7 Lbs

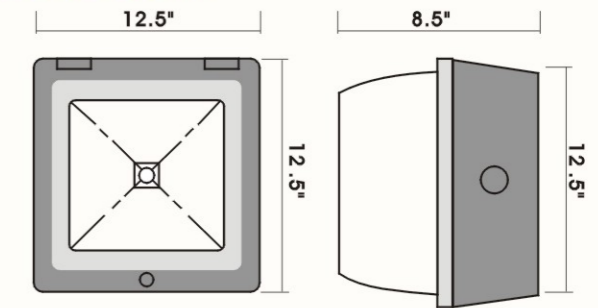
BV12 Series

Features

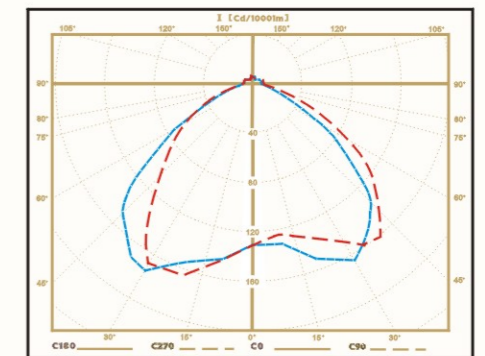
- **Housing**-- One-piece die cast aluminum housing, standard finish, bronze, fade -resistant powder coat paint. Housing has silicone rubber gasket.
- **Optics**-- One-piece clear prismatic polycarbonate UV stabilized diffuser.
- **Ballast**--100 watt Metal Halide high power factor, multi-tap 120/208/240/277 volt; minimum starting temperature -20°F. 150 watt High Pressure Sodium 120 volt, reactor high power factor; minimum starting temperature -40°F.
- **Lamp**-- 100 watt Metal Halide clear medium base ED-17; 150 watt High Pressure Sodium clear medium base ED-17.
- **Socket**--Glazed porcelain, 4KV pulse rated UL Listed.
- **Mounting**--Three(3) removable threaded knockouts 1/2 inch NPS, on each side and one located on the back; providing access for conduit fittings or photo control. Can be wall-mounted or ceiling mounted.
- **Listings**--UL 1598 listed suitable for damp location. CUL certified for use in Canada.



Dimensions



Photometrics



Catalogue Number	Voltage	Watts Lamp Type	Ballast	Shipping Weight
BV12-100MQ	120/208/240/227	100 watt Metal Halide Medium ED-17	HX-HPF	7 Lbs
BV12-150SQ	120	150 watt High Pressure Sodium Medium ED-17	HX-HPF	8 Lbs